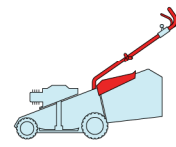


**NG**

**414**

**464**

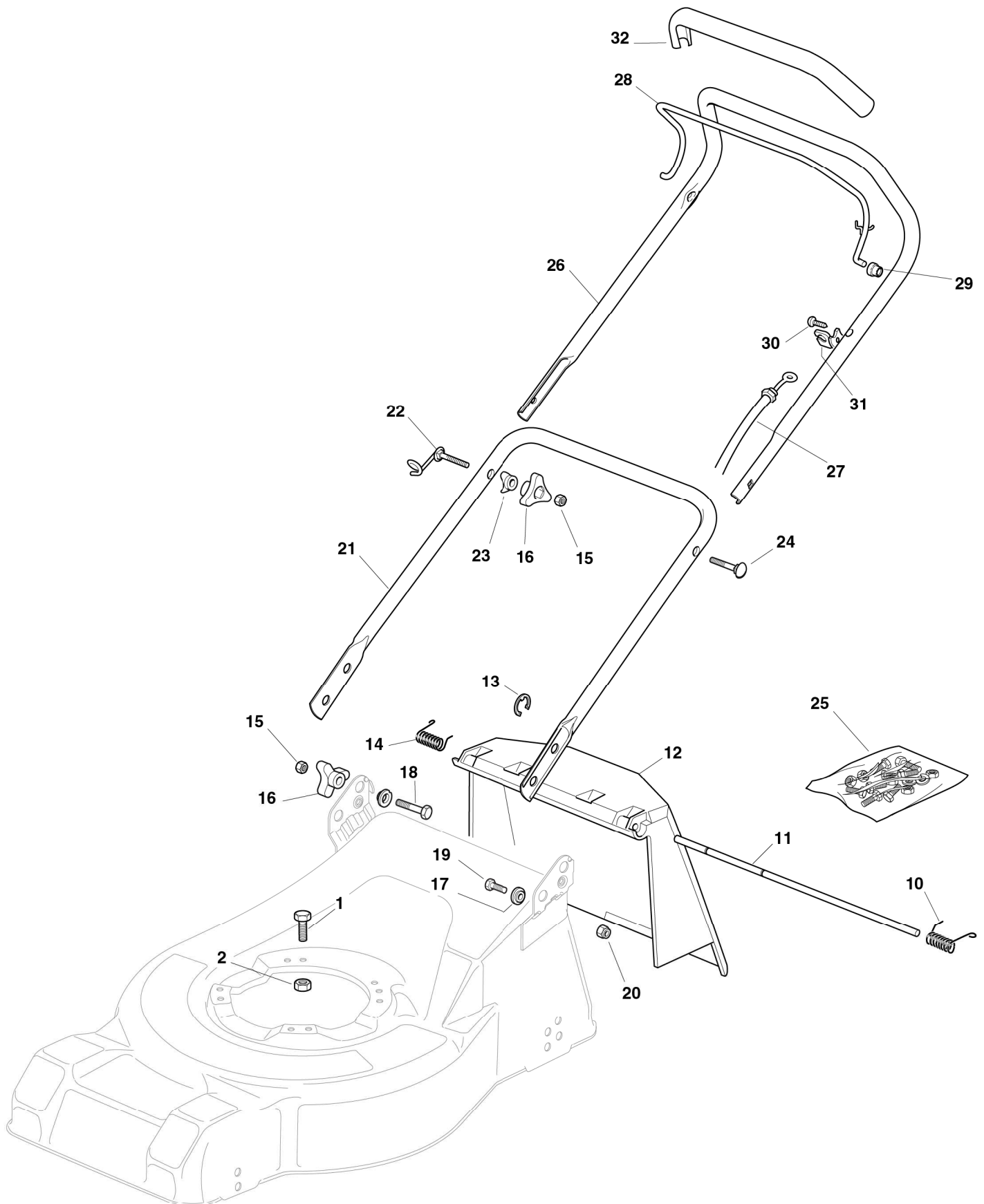
**504**



2008

**511.0**

1 / 2



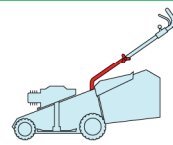
POS.	CODE	Q.TY	DESCRIZIONE	DESCRIPTION	DESCRIPTION	BESCHREIBUNG	REMARKS
1	12691800/0	0/1	VITE	SCREW	VIS	SCHRAUBE	
-	12793701/0	3/2	VITE	SCREW	VIS	SCHRAUBE	
2	12155000/0	0/1	DADO	NUT	ECROU	MUTTER	
-	12293201/0	3/2	DADO	NUT	ECROU	MUTTER	
10	22450420/1	1	MOLLA SX	L SPRING	RESSORT G	LINKE FEDER	
11	22517906/1	1	PERNO	PIN	PIVOT	BOLZEN	
12	22600028/4	1	PARASASSI	STONE-GUARD	PARE-PIERRES	PRALLBLECH	
13	12000930/0	1	ANELLO ELASTICO	SNAP RING	ANNEAU RESSORT	SPRENGRING	
14	22450410/1	1	MOLLA DX	R SPRING	RESSORT D	RECHTE FEDER	
15	12293200/0	4	DADO	NUT	ECROU	MUTTER	
16	22399900/0	4	MANOPOLINA	KNOB	POIGNÉE	GRIFF	
17	22041955/0	4	BUSSOLA	BUSH	DOUILLE	BUCHSE	
18	12793700/0	2	VITE	SCREW	VIS	SCHRAUBE	
19	12792610/0	2	VITE	SCREW	VIS	SCHRAUBE	
20	12155000/0	2	DADO	NUT	ECROU	MUTTER	
21	81006512/0	1	MANICO, PARTE INF	HANDLE, LOWER PART	MANCHERON, PARTIE INFERIEURE	HOLM, UNTERTEIL	
22	81003801/1	1	MOLLA GUIDA	SPRING	RESSORT	FEDER	
23	22680006/1	2	ROSETTA	WASHER	RONDELLE	SCHEIBE	
24	12819201/0	1	VITE	SCREW	VIS	SCHRAUBE	
25	81008614/3	1	DOTAZIONE VITERIA	OUTFIT, SCREWS	DOTATION VISSERIE	SATZ, SCHRAUBEN	
26	81007018/1	1	MANICO, PARTE SUP	HANDLE, UPPER PART	MANCHERON, PARTIE SUPERIEURE	HOLM, OBERTEIL	
27	81000625/0	1	CAVO FRENO MOTORE	CABLE, THREAD ENGINE BRAKE	CABLE FREIN MOTEUR	KABEL, MOTORBREMSE	(B&S 450/500 SERIES)
-	81000757/0	1	CAVO FRENO MOTORE	CABLE, THREAD ENGINE BRAKE	CABLE FREIN MOTEUR	KABEL, MOTORBREMSE	414 (B&S 675 SERIES)
-	81000756/0	1	CAVO FRENO MOTORE	CABLE, THREAD ENGINE BRAKE	CABLE FREIN MOTEUR	KABEL, MOTORBREMSE	464 - 504 (B&S 675 SERIES)
-	81000611/0	1	CAVO FRENO MOTORE	CABLE, THREAD ENGINE BRAKE	CABLE FREIN MOTEUR	KABEL, MOTORBREMSE	(GGP 150CC)
-	81000640/0	1	CAVO FRENO MOTORE	CABLE, THREAD ENGINE BRAKE	CABLE FREIN MOTEUR	KABEL, MOTORBREMSE	(HONDA GCV 135/160)
-	81000753/0	1	CAVO FRENO MOTORE	CABLE, THREAD ENGINE BRAKE	CABLE FREIN MOTEUR	KABEL, MOTORBREMSE	464 (GGP 200CC)
-	81000616/1	1	CAVO FRENO MOTORE	CABLE, THREAD ENGINE BRAKE	CABLE FREIN MOTEUR	KABEL, MOTORBREMSE	504 (GGP 200CC)
-	81000757/0	1	CAVO FRENO MOTORE	CABLE, THREAD ENGINE BRAKE	CABLE FREIN MOTEUR	KABEL, MOTORBREMSE	504 (GGP 160CC)
28	81003291/3	1	LEVA FRENO MOTORE	LEVER, ENGINE BRAKE	LEVIER FREIN MOTEUR	HEBEL, MOTORBREMSE	
29	22041966/0	2	BUSSOLA	BUSH	DOUILLE	BUCHSE	
30	12728518/0	1	VITE	SCREW	VIS	SCHRAUBE	
31	22806612/0	1	SUPPORTO	SUPPORT	SUPPORT	HALTER	
32	22291050/0	1	IMPUGNATURA MANICO NERA	HANDGRIP BLACK	POIGNÉE NOIRE	HANDGRIFF SCHWARZ	

**NG**

**414**

**464**

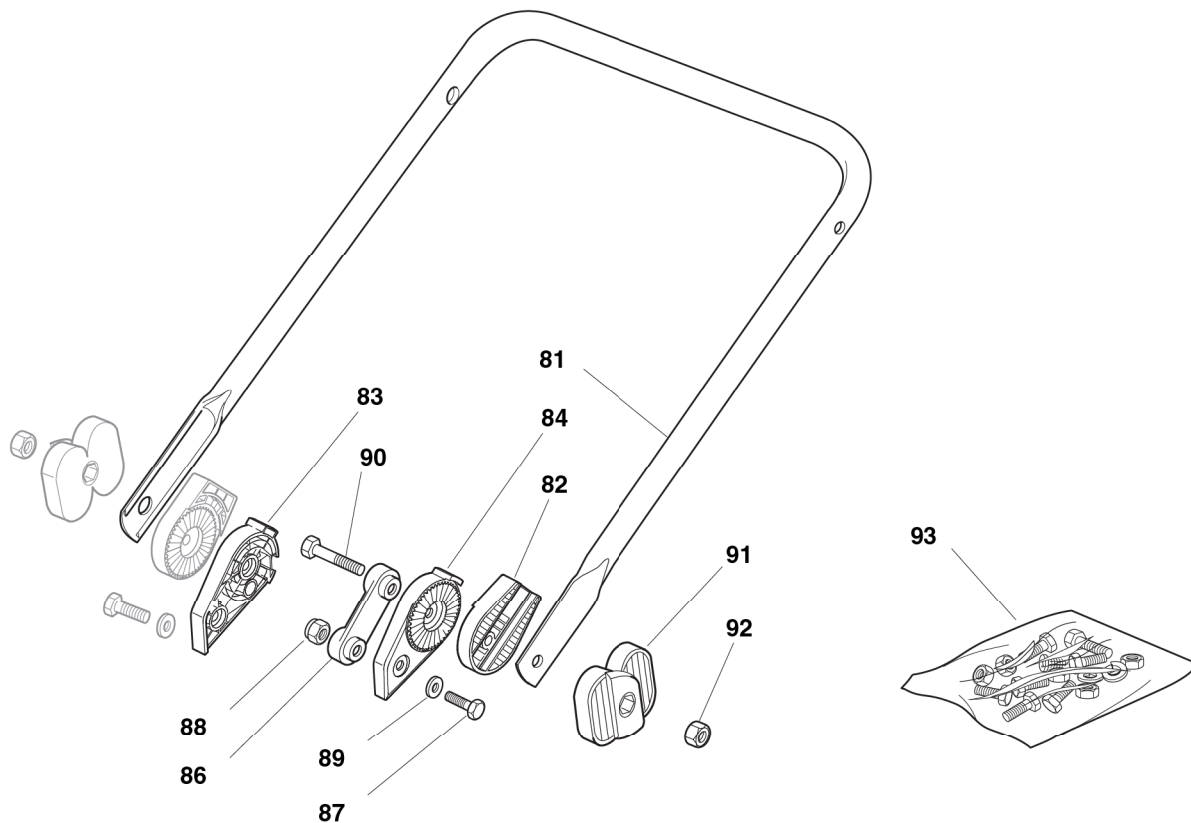
**504**



2008

**511a.0**

1 / 1



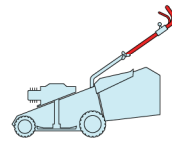
POS.	CODE	Q.TY	DESCRIZIONE	DESCRIPTION	DESCRIPTION	BESCHREIBUNG	REMARKS
81	81006532/0	1	MANICO, PARTE INF	HANDLE, LOWER PART	MANCHERON, PARTIE INFERIEURE	HOLM, UNTERTEIL	
82	22785081/1	2	SUPPORTO ESTERNO	SUPPORT, EXTERNAL	SUPPORT EXTERNE	HALTER, AUSSERE	
83	22785082/0	1	SUPPORTO INTERNO DX	SUPPORT, R INTERNAL	SUPPORT INTERNE D	HALTER, INNERE R	
84	22785083/1	1	SUPPORTO INTERNO SX	SUPPORT, L INTERNAL	SUPPORT INTERNE G	HALTER, INNERE L	
86	22551575/0	2	PIASTRINA INTERNA	PLATE, INSIDE	PLAQUETTE INTERNE	PLATTE, INNERE	
87	12793701/0	2	VITE	SCREW	VIS	SCHRAUBE	
88	12155000/0	2	DADO	NUT	ECROU	MUTTER	
89	12521350/0	2	ROSETTA	WASHER	RONDELLE	SCHEIBE	
90	12691810/0	2	VITE	SCREW	VIS	SCHRAUBE	
91	22399803/0	2	MANOPOLINA	KNOB	POIGNÉE	GRIFF	
92	12293202/0	2	DADO	NUT	ECROU	MUTTER	
93	81008623/1	1	DOTAZIONE VITERIA	OUTFIT, SCREWS	DOTATION VISSERIE	SATZ, SCHRAUBEN	

**NG**

**414**

**464**

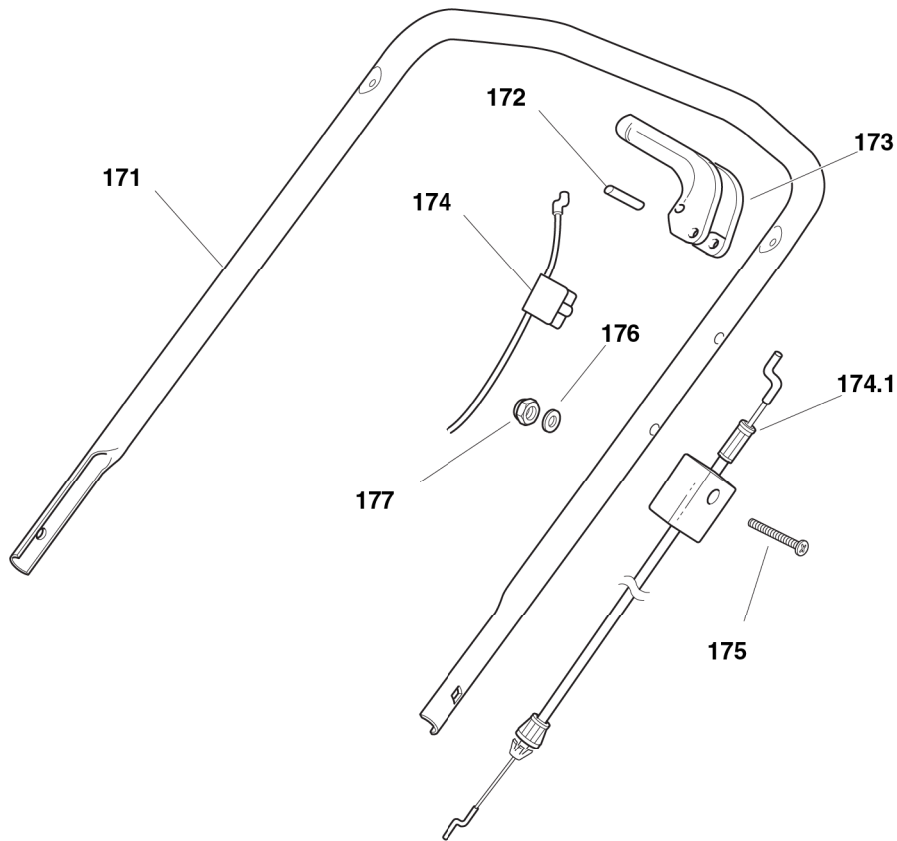
**504**



2008

**511b.0**

1 / 1



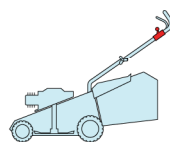
POS.	CODE	Q.TY	DESCRIZIONE	DESCRIPTION	DESCRIPTION	BESCHREIBUNG	REMARKS
171	81006547/1	1	MANICO, PARTE SUP	HANDLE, UPPER PART	MANCHERON, PARTIE SUPERIEURE	HOLM, OBERTEIL	414 - 464
172	12645710/0	1	SPINA	PIN	GOUPILLE	STIFT	414 - 464
173	322321700/1	1	LEVA FRENO MOTORE	LEVER, ENGINE BRAKE	LEVIER FREIN MOTEUR	HEBEL, MOTORBREMSE	414 - 464
174	81000652/0	1	CAVO FRENO MOTORE	CABLE, THREAD ENGINE BRAKE	CABLE FREIN MOTEUR	KABEL, MOTORBREMSE	414 - 464 (B&S 450-500 SERIES)
174,1	81000722/0	1	CAVO FRENO MOTORE	CABLE, THREAD ENGINE BRAKE	CABLE FREIN MOTEUR	KABEL, MOTORBREMSE	414 - 464 (GGP 150CC)
175	12674700/0	1	VITE	SCREW	VIS	SCHRAUBE	414 - 464 (GGP 150CC)
176	12521330/0	1	ROSETTA	WASHER	RONDELLE	SCHEIBE	414 - 464 (GGP 150CC)
177	12292100/0	1	DADO	NUT	ECROU	MUTTER	414 - 464 (GGP 150CC)

**NG**

**414**

**464**

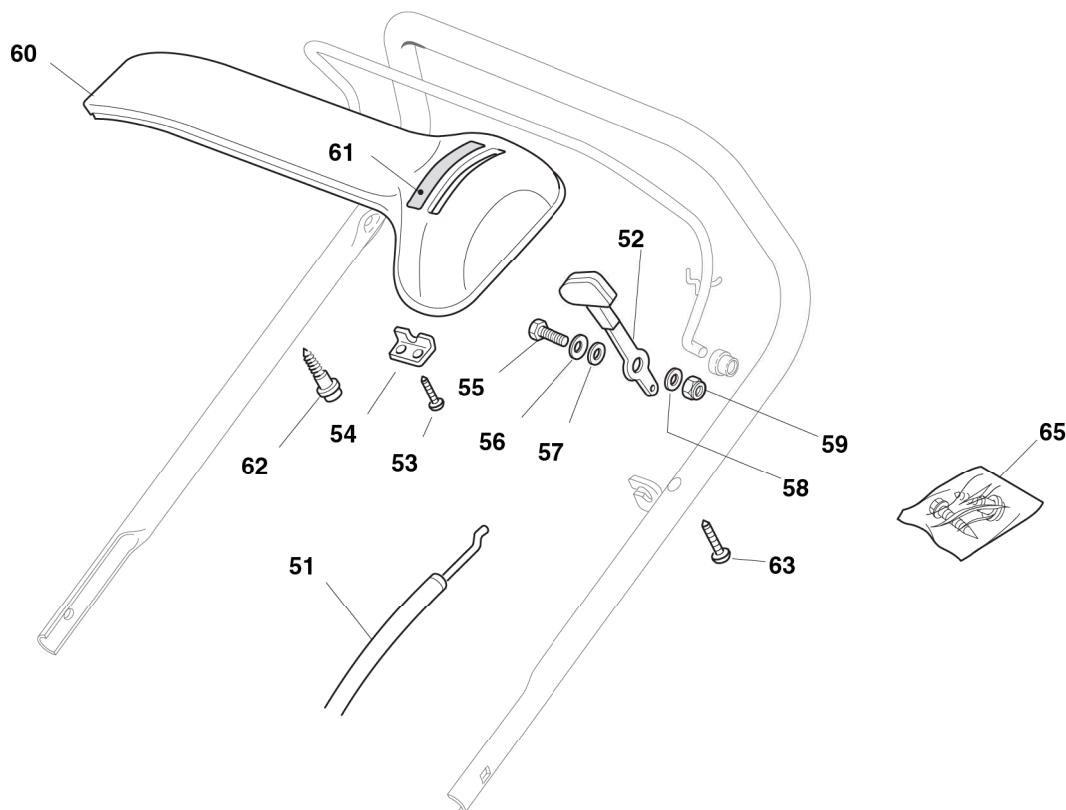
**504**



2008

**512.0**

1 / 1



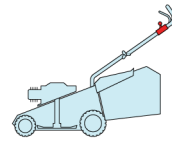
POS.	CODE	Q.TY	DESCRIZIONE	DESCRIPTION	DESCRIPTION	BESCHREIBUNG	REMARKS
51	81007160/0	1	CAVO ACCELERATORE	THROTTLE CABLE	CABLE, ACCELERATEUR	GASHEBEL KABEL	
52	81007280/2	1	LEVA, ACCELERATORE	LEVER, THROTTLE	LEVIER,	HEBEL, BESHLEUNIGER	(B&S 625/650/675 SERIES - HONDA - GGP 160/200 CC)
-	81007221/0	1	LEVA, ACCELERATORE	LEVER, THROTTLE	LEVIER,	HEBEL, BESHLEUNIGER	(B&S 450/500 SERIES - GGP 150 CC)
53	12735105/0	2	VITE	SCREW	VIS	SCHRAUBE	
54	22981467/0	1	PIASTRINA	PLATE	PLAQUETTE	PLATTE	
55	12791500/0	1	VITE	SCREW	VIS	SCHRAUBE	
56	12530060/0	1	ROSETTA ELASTICA	ELASTIC WASHER	RONDELLE ELASTIQUE	ELASTISCHE SCHEIBE	
57	12523040/0	1	ROSETTA	WASHER	RONDELLE	SCHEIBE	
58	12523040/0	1	ROSETTA	WASHER	RONDELLE	SCHEIBE	
59	12154510/0	1	DADO	NUT	ECROU	MUTTER	
60	22120152/0	1	CRUSCOTTO GIALLO	DASH BOARD YELLOW	CONSOLE JAUNE	KONSOLE GELBE	
-	22120154/0	1	CRUSCOTTO ROSSO	DASH BOARD RED	CONSOLE ROUGE	KONSOLE ROTE	
-	22120158/0	1	CRUSCOTTO NERO	DASH BOARD BLACK	CONSOLE NOIRE	KONSOLE SCHWARZE	
61	114356744/1	1	ETICHETTA	LABEL	ETIQUETTE	ETIKETTE	(B&S)
-	114356743/1	1	ETICHETTA	LABEL	ETIQUETTE	ETIKETTE	(HONDA - GGP)
62	22943006/0	1	VITE	SCREW	VIS	SCHRAUBE	
63	12728460/0	1	VITE	SCREW	VIS	SCHRAUBE	
65	81008609/0	1	DOTAZIONE VITERIA CRUSCOTTO	OUTFIT, DASH-BOARD SCREWS	DOTATION VISSERIE CONSOLLE	SATZ, KONSOLE SCHRAUBEN	

**NG**

**414**

**464**

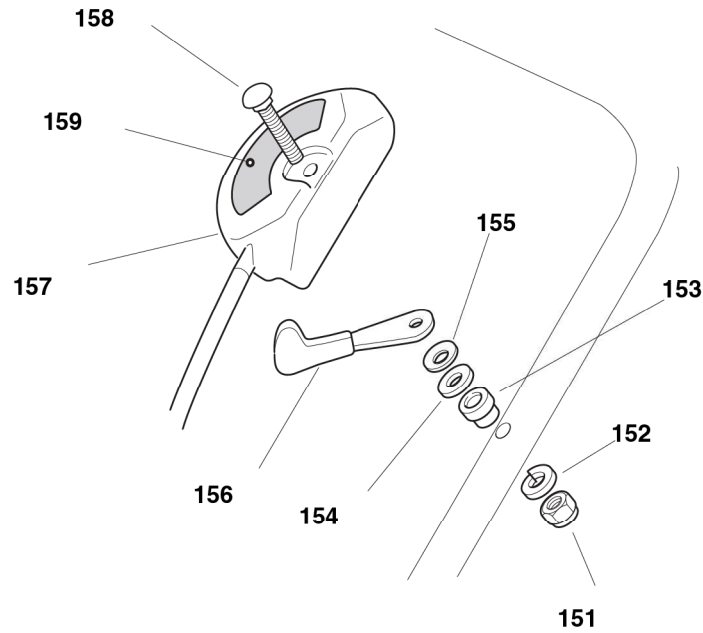
**504**



2008

**512a.0**

1 / 1



POS.	CODE	Q.TY	DESCRIZIONE	DESCRIPTION	DESCRIPTION	BESCHREIBUNG	REMARKS
151	12291000/0	1	DADO	NUT	ECROU	MUTTER	.
152	12581500/0	1	GROWER	GROWER	GROWER	FEDERRING	.
153	22171005/0	1	DISTANZIALE	SPACER	ENTRETOISE	DISTANZRING	.
154	12521360/0	1	ROSETTA	WASHER	RONDELLE	SCHEIBE	.
155	12508100/0	1	ROSETTA ELASTICA	SPRING WASHER	RONDELLE ELASTIQUE	ELASTISCHE SCHEIBE	.
156	81007279/1	1	LEVA, ACCELERATORE	LEVER, THROTTLE	LEVIER, ACCELERATEUR	HEBEL, BESHLEUNIGER	(B&S 625/650/675 SERIES - HONDA - GGP 160/200 CC)
-	81007220/0	1	LEVA, ACCELERATORE	LEVER, THROTTLE	LEVIER, ACCELERATEUR	HEBEL, BESHLEUNIGER	(B&S 450/500 SERIES - GGP 150 CC)
157	81007080/0	1	CAVO ACCELERATORE	THROTTLE CABLE	CABLE, ACCELERATEUR	GASHEBEL KABEL	.
158	12815000/0	1	VITE	SCREW	VIS	SCHRAUBE	.
159	14356703/0	1	ETICHETTA	LABEL	ETIQUETTE	ETIKETTE	(B&S)
-	14356702/0	1	ETICHETTA	LABEL	ETIQUETTE	ETIKETTE	(GGP - HONDA)

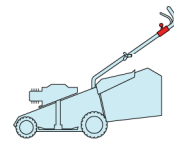
# TABLES

NG

414

464

504

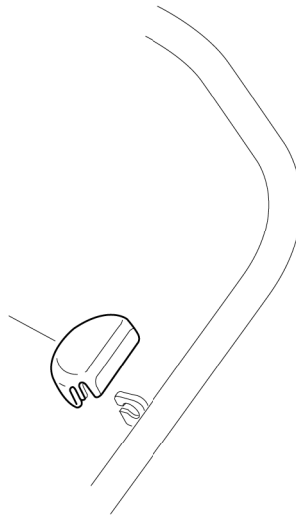


2008

512b.0

1 / 1

201



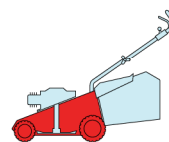
POS.	CODE	Q.TY	DESCRIZIONE	DESCRIPTION	DESCRIPTION	BESCHREIBUNG	REMARKS
201	22601000/0	1	PROTEZIONE	PROTECTION	PROTECTION	SCHUTZ	

NG

414

464

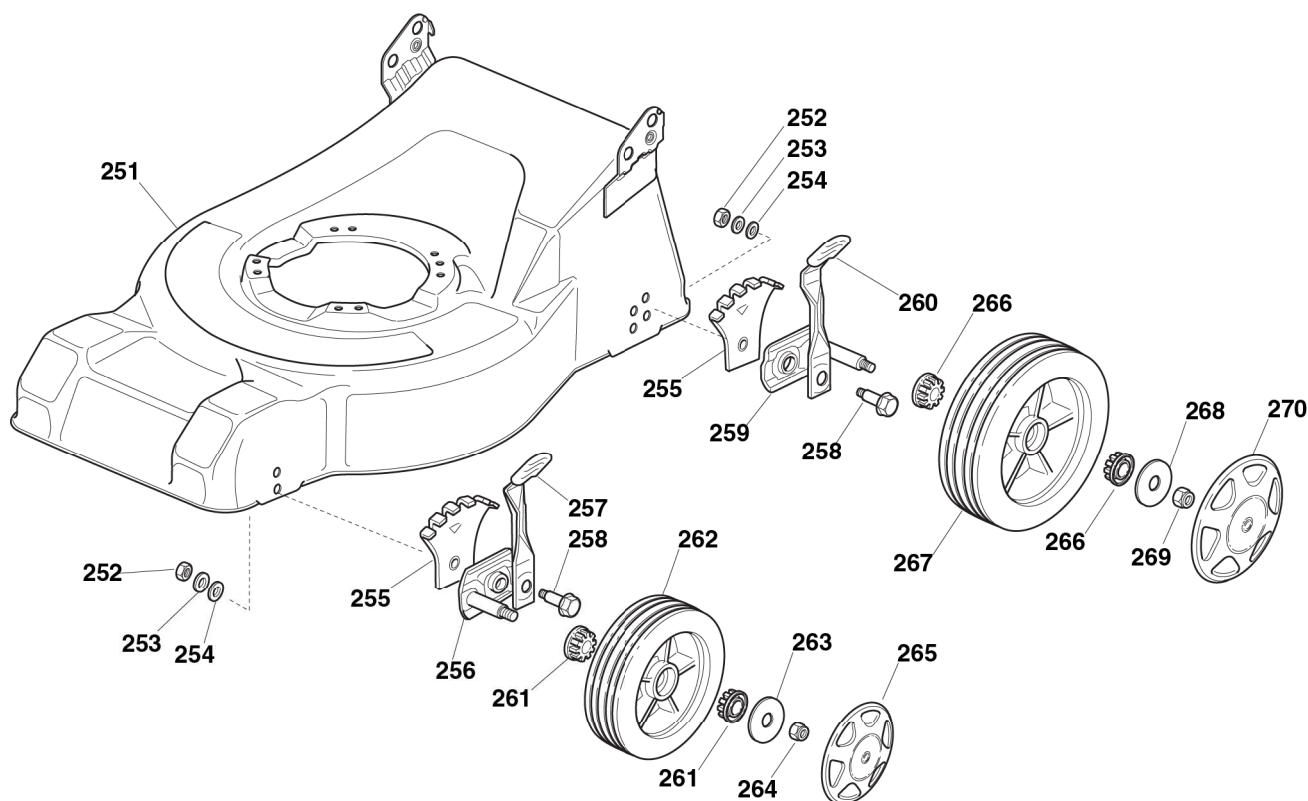
504



2008

513.0

1 / 1



POS.	CODE	Q.TY	DESCRIZIONE	DESCRIPTION	DESCRIPTION	BESCHREIBUNG	REMARKS
251	81001605/0	1	CHASSIS ROSSO	DECK RED	CHÂSSIS ROUGE	GEHÄUSE ROT	504
252	12293200/0	4	DADO	NUT	ECROU	MUTTER	504
253	12583500/0	4	GROWER	GROWER	GROWER	FEDERRING	504
254	12523070/0	4	ROSETTA	WASHER	RONDELLE	SCHEIBE	504
255	22735547/0	4	SETTORE REGOLAZIONE ALTEZZA	SECTOR, HEIGHT ADJUSTMENT	SECTEUR REGLAGE HAUTEUR	SEKTOR, HÖHEVERSTELLUNG	504
256	81005082/0	2	SUPPORTO RUOTA	SUPPORT, WHEEL	SUPPORT ROUE	HALTER, RAD	504
257	81003285/1	2	LEVA REGOLAZIONE ALTEZZA	LEVER, HEIGHT ADJUSTMENT	LEVIER, REGLAGE HAUTEUR	HEBEL, HÖHEVERSTELLUNG	504
258	22519811/0	4	PERNO	PIN	PIVOT	BOLZEN	504
259	81005084/0	2	SUPPORTO RUOTA	SUPPORT, WHEEL	SUPPORT ROUE	HALTER, RAD	504
260	81003286/0	2	LEVA REGOLAZIONE ALTEZZA	LEVER, HEIGHT ADJUSTMENT	LEVIER, REGLAGE HAUTEUR	HEBEL, HÖHEVERSTELLUNG	504
261	22034508/0	4	BUSSOLA	BUSH	DOUILLE	BUCHSE	504
262	81007326/0	2	RUOTA Ø 170	WHEEL Ø 170	ROUE Ø 170	RAD Ø 170	
263	12523060/0	2	ROSETTA	WASHER	RONDELLE	SCHEIBE	504
264	12155000/0	2	DADO	NUT	ECROU	MUTTER	504
265	-	2	COPRIMOZZO	HUB CAP	COUVRE-MOYEU	RADKAPPE	(SEE ENCLOSURE 1)
266	22034508/0	4	BUSSOLA	BUSH	DOUILLE	BUCHSE	504
267	81007328/0	2	RUOTA Ø 210	WHEEL Ø 210	ROUE Ø 210	RAD Ø 210	504
268	12523060/0	2	ROSETTA	WASHER	RONDELLE	SCHEIBE	504
269	12155000/0	2	DADO	NUT	ECROU	MUTTER	504
270	-	2	COPRIMOZZO	HUB CAP	COUVRE-MOYEU	RADKAPPE	(SEE ENCLOSURE 2)

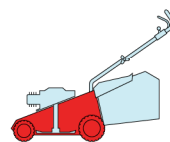


**NG**

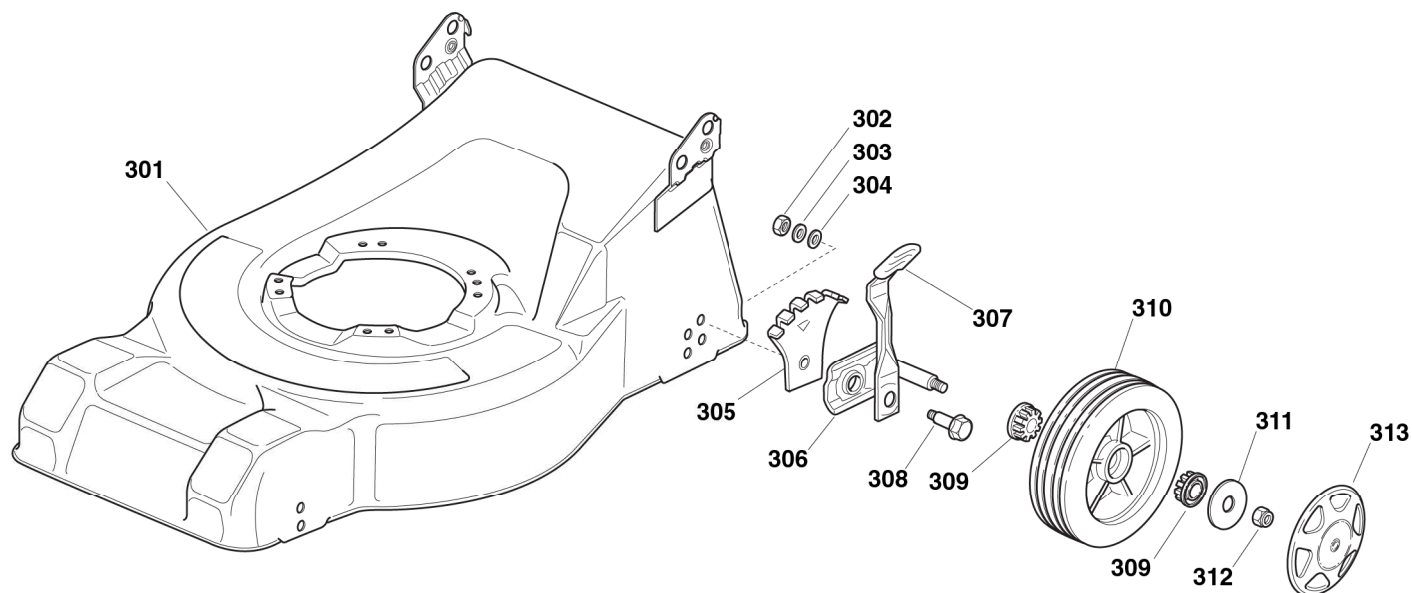
**414**

**464**

**504**



2008  
**513a.0**  
1 / 1



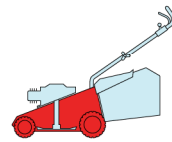
POS.	CODE	Q.TY	DESCRIZIONE	DESCRIPTION	DESCRIPTION	BESCHREIBUNG	REMARKS
301	81002414/0	1	CHASSIS ROSSO	DECK RED	CHÂSSIS ROUGE	GEHÄUSE ROT	414
-	81002415/0	1	CHASSIS ROSSO	DECK RED	CHÂSSIS ROUGE	GEHÄUSE ROT	464
302	12293200/0	4	DADO	NUT	ECROU	MUTTER	414 - 464
303	12583500/0	4	GROWER	GROWER	GROWER	FEDERRING	414 - 464
304	12523070/0	4	ROSETTA	WASHER	RONDELLE	SCHEIBE	414 - 464
305	22735547/0	4	SETTORE REGOLAZIONE ALTEZZA	SECTOR, HEIGHT ADJUSTMENT	SECTEUR REGLAGE HAUTEUR	SEKTOR, HÖHEVERSTELLUNG	414 - 464
306	81005082/0	4	SUPPORTO RUOTA	SUPPORT, WHEEL	SUPPORT ROUE	HALTER, RAD	414 - 464
307	81003285/1	4	LEVA REGOLAZIONE ALTEZZA	LEVER, HEIGHT ADJUSTMENT	LEVIER, REGLAGE HAUTEUR	HEBEL, HÖHEVERSTELLUNG	414 - 464
308	22519811/0	4	PERNO	PIN	PIVOT	BOLZEN	414 - 464
309	22034508/0	8	BUSSOLA	BUSH	DOUILLE	BUCHSE	414 - 464
310	81007326/0	4	RUOTA Ø 170	WHEEL Ø 170	ROUE Ø 170	RAD Ø 170	414 - 464
311	12523060/0	4	ROSETTA	WASHER	RONDELLE	SCHEIBE	414 - 464
312	12155000/0	4	DADO	NUT	ECROU	MUTTER	414 - 464
313	-	4	COPRIMOZZO	HUB CAP	COUVRE-MOYEU	RADKAPPE	(SEE ENCLOSURE 1)

**NG**

**414**

**464**

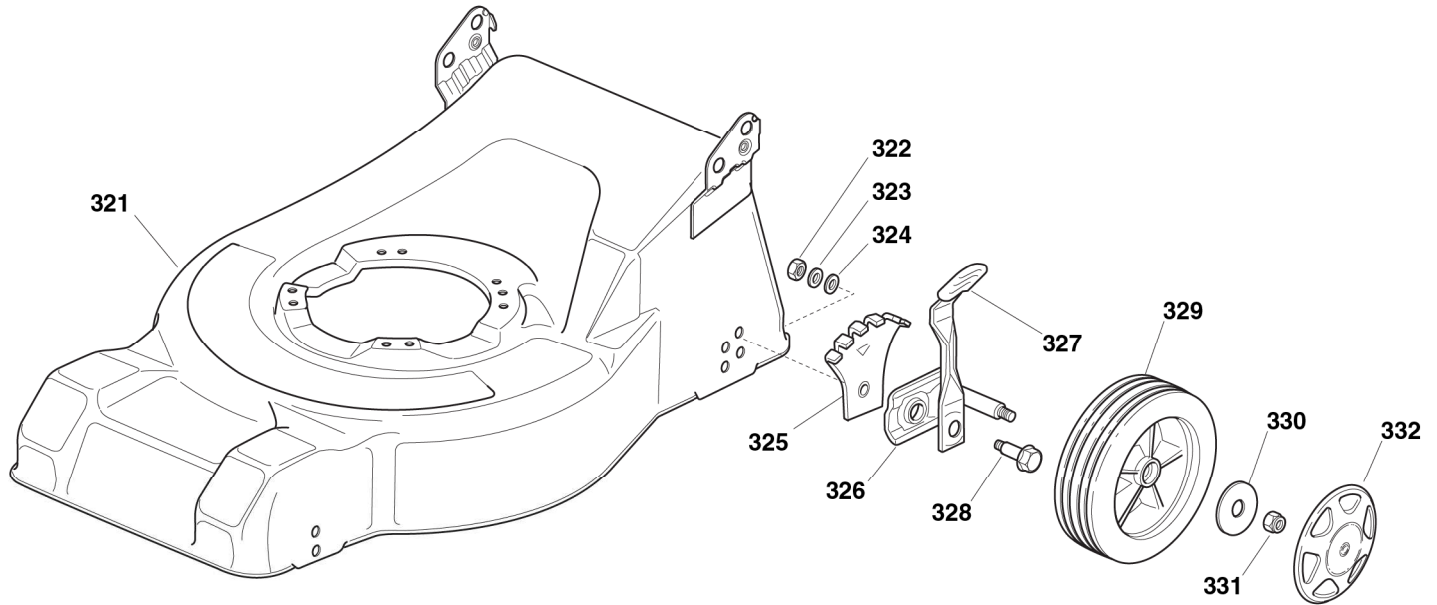
**504**



2008

**513b.0**

1 / 1



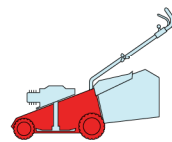
POS.	CODE	Q.TY	DESCRIZIONE	DESCRIPTION	DESCRIPTION	BESCHREIBUNG	REMARKS
321	81002414/0	1	CHASSIS ROSSO	DECK RED	CHÂSSIS ROUGE	GEHÄUSE ROT	414
-	81002415/0	1	CHASSIS ROSSO	DECK RED	CHÂSSIS ROUGE	GEHÄUSE ROT	464
322	12293200/0	4	DADO	NUT	ECROU	MUTTER	414 - 464
323	12583500/0	4	GROWER	GROWER	GROWER	FEDERRING	414 - 464
324	12523070/0	4	ROSETTA	WASHER	RONDELLE	SCHEIBE	414 - 464
325	22735547/0	4	SETTORE REGOLAZIONE ALTEZZA	SECTOR, HEIGHT ADJUSTMENT	SECTEUR REGLAGE HAUTEUR	SEKTOR, HÖHEVERSTELLUNG	414 - 464
326	81005082/0	4	SUPPORTO RUOTA	SUPPORT, WHEEL	SUPPORT ROUE	HALTER, RAD	414 - 464
327	81003285/1	4	LEVA REGOLAZIONE ALTEZZA	LEVER, HEIGHT ADJUSTMENT	LEVIER, REGLAGE HAUTEUR	HEBEL, HÖHEVERSTELLUNG	414 - 464
328	22519811/0	4	PERNO	PIN	PIVOT	BOLZEN	414 - 464
329	381007325/1	4	RUOTA Ø 170	WHEEL Ø 170	ROUE Ø 170	RAD Ø 170	414 - 464
330	25670011/0	4	ROSETTA	WASHER	RONDELLE	SCHEIBE	414 - 464
331	12155000/0	4	DADO	NUT	ECROU	MUTTER	414 - 464
332	-	4	COPRIMOZZO	HUB CAP	COUVRE-MOYEU	RADKAPPE	(SEE ENCLOSURE 1)

**NG**

**414**

**464**

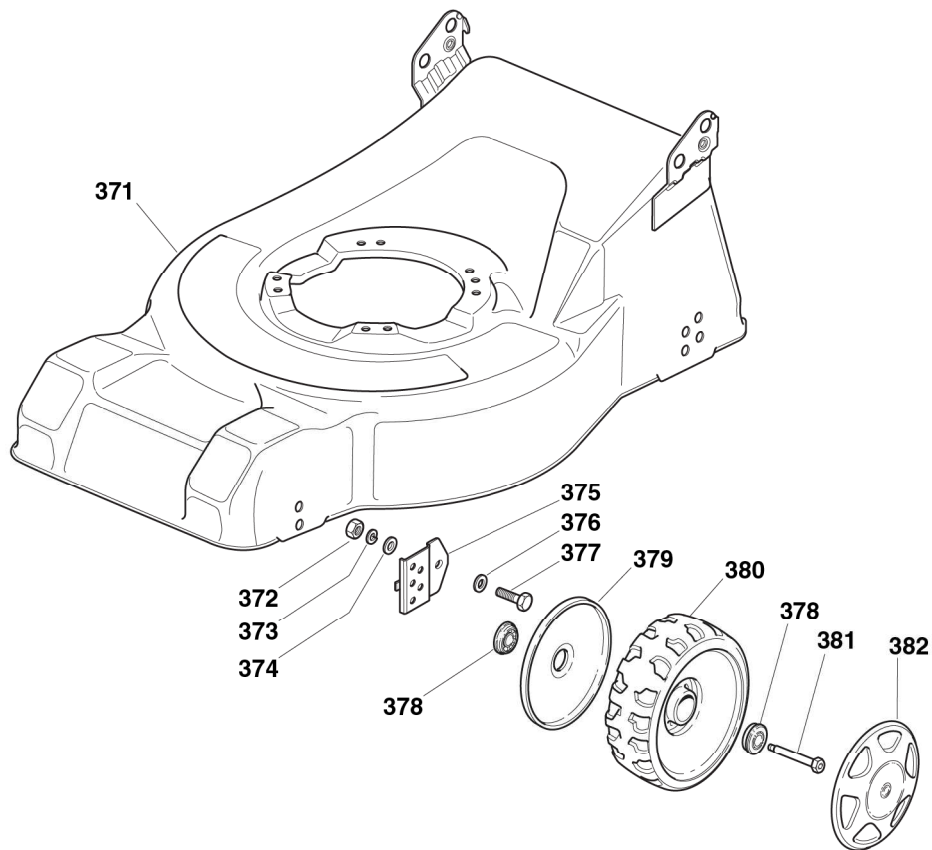
**504**



2008

**513c.0**

1 / 1



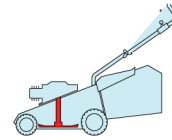
POS.	CODE	Q.TY	DESCRIZIONE	DESCRIPTION	DESCRIPTION	BESCHREIBUNG	REMARKS
371	81002414/0	1	CHASSIS ROSSO	DECK RED	CHÂSSIS ROUGE	GEHÄUSE ROT	414
-	81002415/0	1	CHASSIS ROSSO	DECK RED	CHÂSSIS ROUGE	GEHÄUSE ROT	464
372	12293200/0	4	DADO	NUT	ECROU	MUTTER	414 - 464
373	12583500/0	4	GROWER	GROWER	GROWER	FEDERRING	414 - 464
374	12523070/0	4	ROSETTA	WASHER	RONDELLE	SCHEIBE	414 - 464
375	22551515/0	4	PIASTRINA	PLATE	PLAQUETTE	PLATTE	414 - 464
376	12521350/0	4	ROSETTA	WASHER	RONDELLE	SCHEIBE	414 - 464
377	12793102/0	4	VITE	SCREW	VIS	SCHRAUBE	414 - 464
378	22034515/1	8	BUSSOLA	BUSH	DOUILLE	BUCHSE	414 - 464
379	22600095/0	4	PROTEZIONE	PROTECTION	PROTECTION	SCHUTZ	414 - 464
380	22686091/1	4	RUOTA Ø 165	WHEEL Ø 165	ROUE Ø 165	RAD Ø 165	414 - 464
381	22524340/0	4	PERNO	PIN	PIVOT	BOLZEN	414 - 464
382	-	4	COPRIMOZZO	HUB CAP	COUVRE-MOYEU	RADKAPPE	(SEE ENCLOSURE 1)

**NG**

**414**

**464**

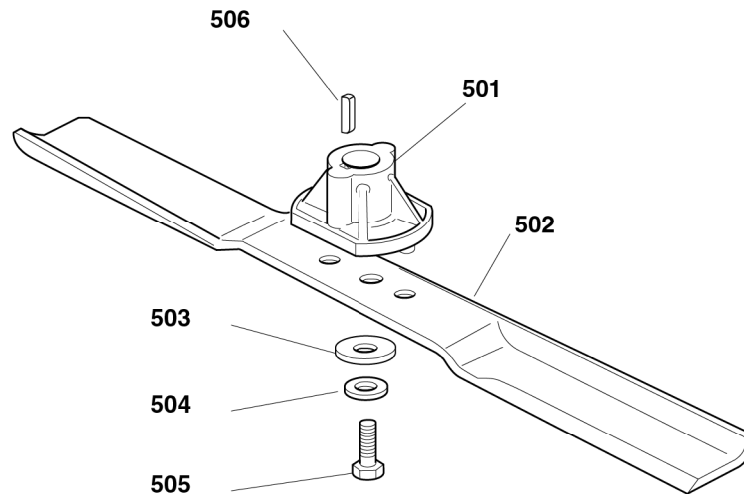
**504**



2008

**514.0**

1 / 1



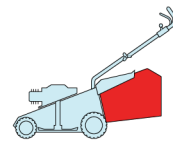
POS.	CODE	Q.TY	DESCRIZIONE	DESCRIPTION	DESCRIPTION	BESCHREIBUNG	REMARKS
501	22463012/2	1	MOZZO, ALBERO MOTORE Ø 22.2	HUB, CRANKSHAFT Ø 22.2	MOYEU, ARBRE MOTEUR Ø 22.2	HALTER, MOTORWELLE Ø 22.2	
-	122463020/1	1	MOZZO, ALBERO MOTORE Ø 25	HUB, CRANKSHAFT Ø 25	MOYEU, ARBRE MOTEUR Ø 25	HALTER, MOTORWELLE Ø 25	
502	81004360/3	1	COLTELLO STANDARD	BLADE STANDARD	LAME STANDARD	MESSER STANDARD	414
-	81004365/3	1	COLTELLO STANDARD	BLADE STANDARD	LAME STANDARD	MESSER STANDARD	464
-	81004366/2	1	COLTELLO STANDARD	BLADE STANDARD	LAME STANDARD	MESSER STANDARD	504
-	81004395/1	1	COLTELLO ALETTATO	BLADE WINGED	LAME AILETTÉE	MESSER FLÜGEL	504
503	22160400/0	1	DISCO ELASTICO	ELASTIC WASHER	RONDELLE ELASTIQUE	ELASTISCHESCHEIBE	
504	12523080/0	1	ROSETTA	WASHER	RONDELLE	SCHEIBE	
505	12735698/0	1	VITE	SCREW	VIS	SCHRAUBE	
506	12139100/0	1	LINGUETTA, ALBERO MOTORE Ø 22.2	FEATHER, CRANKSHAFT Ø 22.2	CLAVETTE, ARBRE MOTEUR Ø 22.2	KEIL, MOTORWELLE Ø 22.2	
-	12139150/0	1	LINGUETTA, ALBERO MOTORE Ø 25	FEATHER, CRANKSHAFT Ø 25	CLAVETTE, ARBRE MOTEUR Ø 25	KEIL, MOTORWELLE Ø 25	

**NG**

**414**

**464**

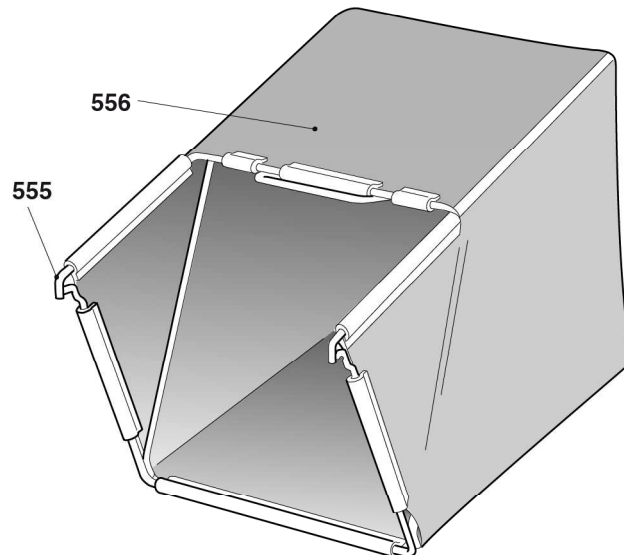
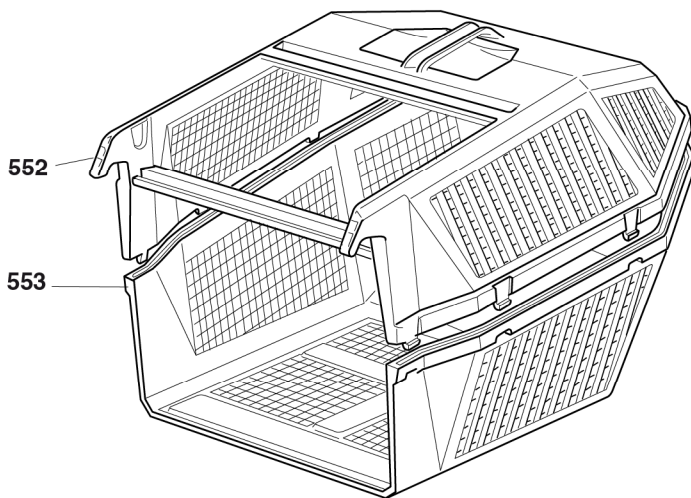
**504**



2008

**515.0**

1 / 1



POS.	CODE	Q.TY	DESCRIZIONE	DESCRIPTION	DESCRIPTION	BESCHREIBUNG	REMARKS
552	22486076/0	1	SACCO, PARTE SUP	GRASS-BOX, UPPER	SAC, PARTIE SUPERIEU- RE	KORB, OBERTEIL	
553	22486077/0	1	SACCO, PARTE INF	GRASS-BOX, LOWER	SAC, PARTIE INFERIEURE	KORB, UNTERTEIL	
555	81006408/0	1	TELAIO SACCO	CHASSIS BOX	CHÂSSIS BAC	RAHMEN SACK	
556	81002105/2	1	SACCO, TELA	BOX, FABRIC	SAC, TOILE	SACK, TUCK	